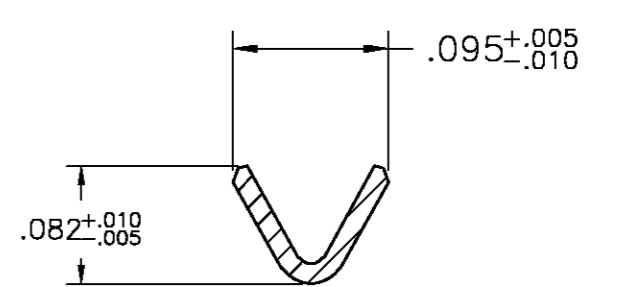
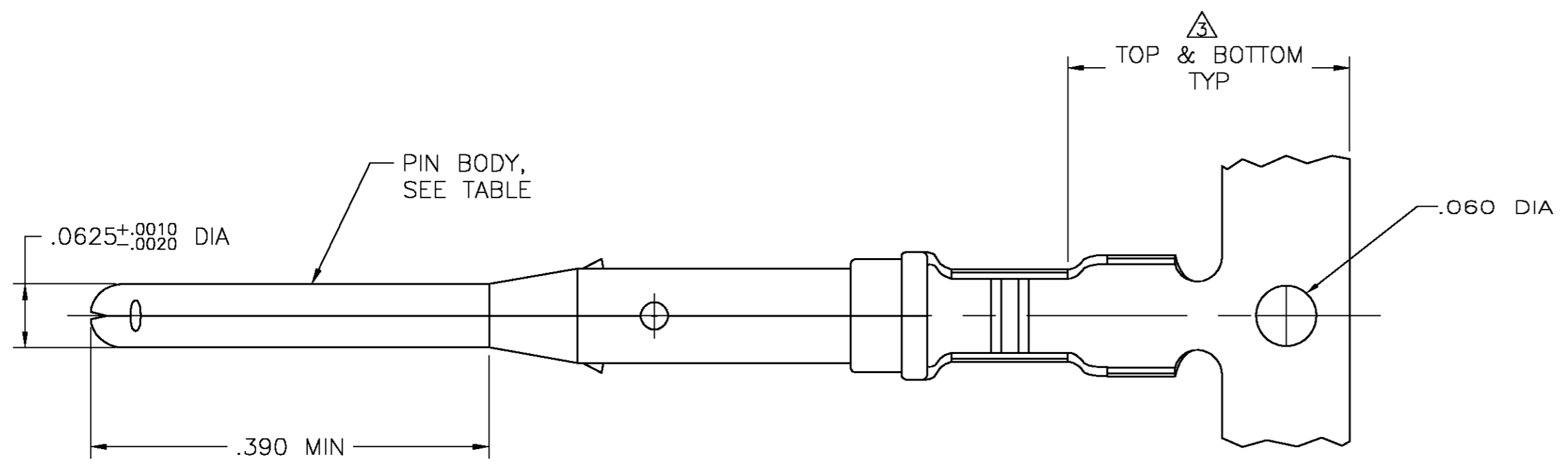
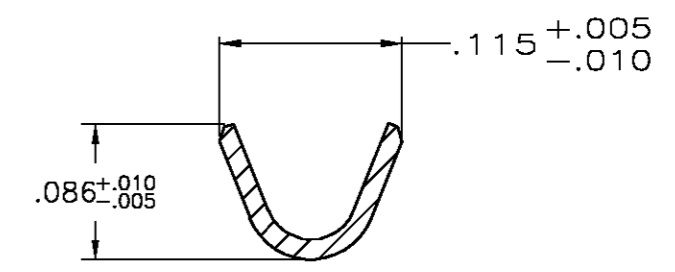


THIS DRAWING IS UNPUBLISHED. RELEASED FOR PUBLICATION
 © COPYRIGHT BY TYCO ELECTRONICS CORPORATION. ALL RIGHTS RESERVED.

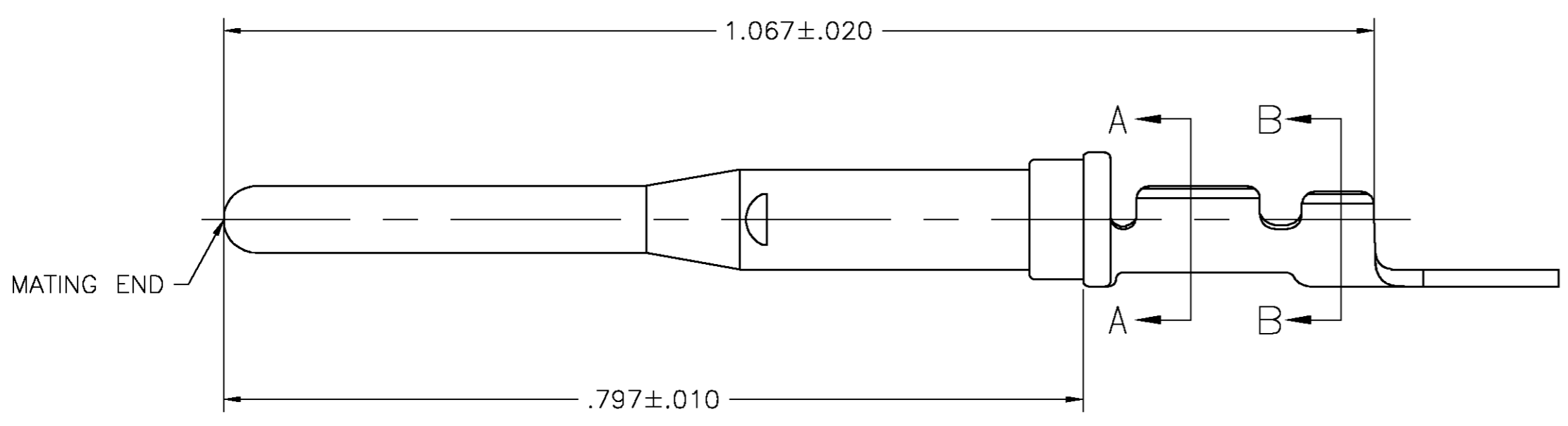
LOC	DIST	REVISIONS			
P	LTR	DESCRIPTION	DATE	DWN	APVD
FT	0	F	REVISED PER 0G3B-0897-04	10/11/04	SS GS



SECTION A-A



SECTION B-B



- NOTES:
- 1 REVERSE REELED FOR MINI-APPLICATOR.
 - 2 1.27µm [.000050] MIN TIN-LEAD PER MIL-T-10727 OVER 1.27µm [.000050] MIN NICKEL PER QQ-N-290.
 - 3. WIRE RANGE 20-24 AWG.
 - 4. INSULATION RANGE .040-.080 DIA.

REELING	PIN BODY FINISH	MATERIAL	PART NUMBER
		BRASS	2-66094-4

THIS DRAWING IS A CONTROLLED DOCUMENT.		DWN	S SCHLEGEL	9/13/04	 Tyco Electronics Corporation Harrisburg, Pa 17105-3608
DIMENSIONS: INCHES		CHK	G STEINHAUER	9/13/04	
TOLERANCES UNLESS OTHERWISE SPECIFIED:		APVD	G STEINHAUER	9/13/04	
0 PLC ± - 1 PLC ± - 2 PLC ± - 3 PLC ± .005 4 PLC ± - ANGLES ± - FINISH		NAME		PIN BODY, TYPE III+, SIZE 16	
MATERIAL		WEIGHT	-	SIZE	A2
		CUSTOMER DRAWING	SCALE	8:1	SHEET
				1	OF
				1	REV
				F	

66094